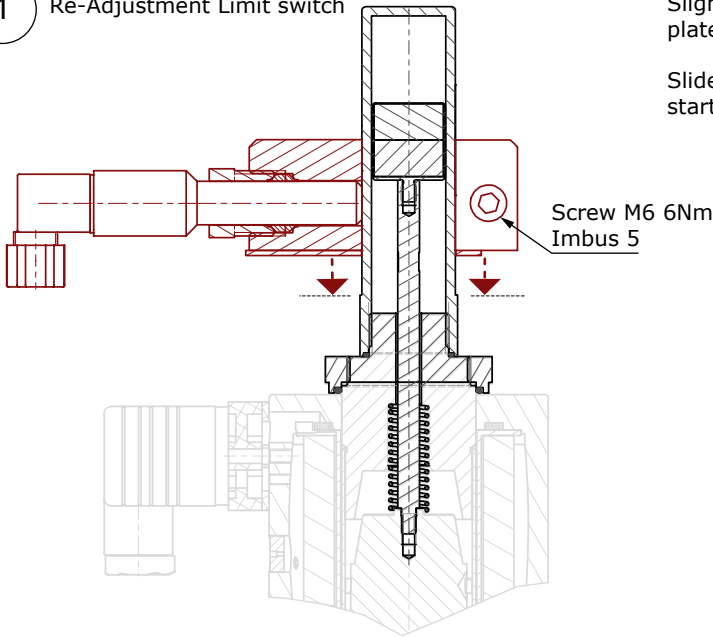




Re-Adjustment of the clamping plate with limit switch in vertical direction. The adjustment is made in the de-energised valve state (valve is closed)

SUFFIX
1U

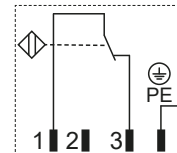
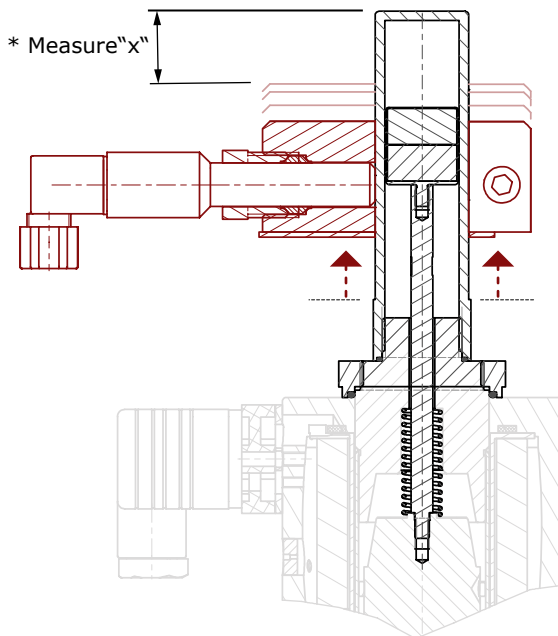
1 Re-Adjustment Limit switch



Slightly loosen the M6 screw of the clamping plate with Imbus size 5.

Slide the clamping plate all the way down to start the basic setting.

2 Search the switching point



Feedback contact in software "1" with valve not actuated (CLOSED).

Slightly tighten clamping screw, check setting by switching several times, readjust if necessary.

Feedback contact in software "0" if valve energized (OPEN). Limit switch contact 1-3 open.

Final torque of the clamping screw with 6 Nm.

The setting is finished.

* No fixed dimension possible due to tolerances of reed contact and permanent magnet.